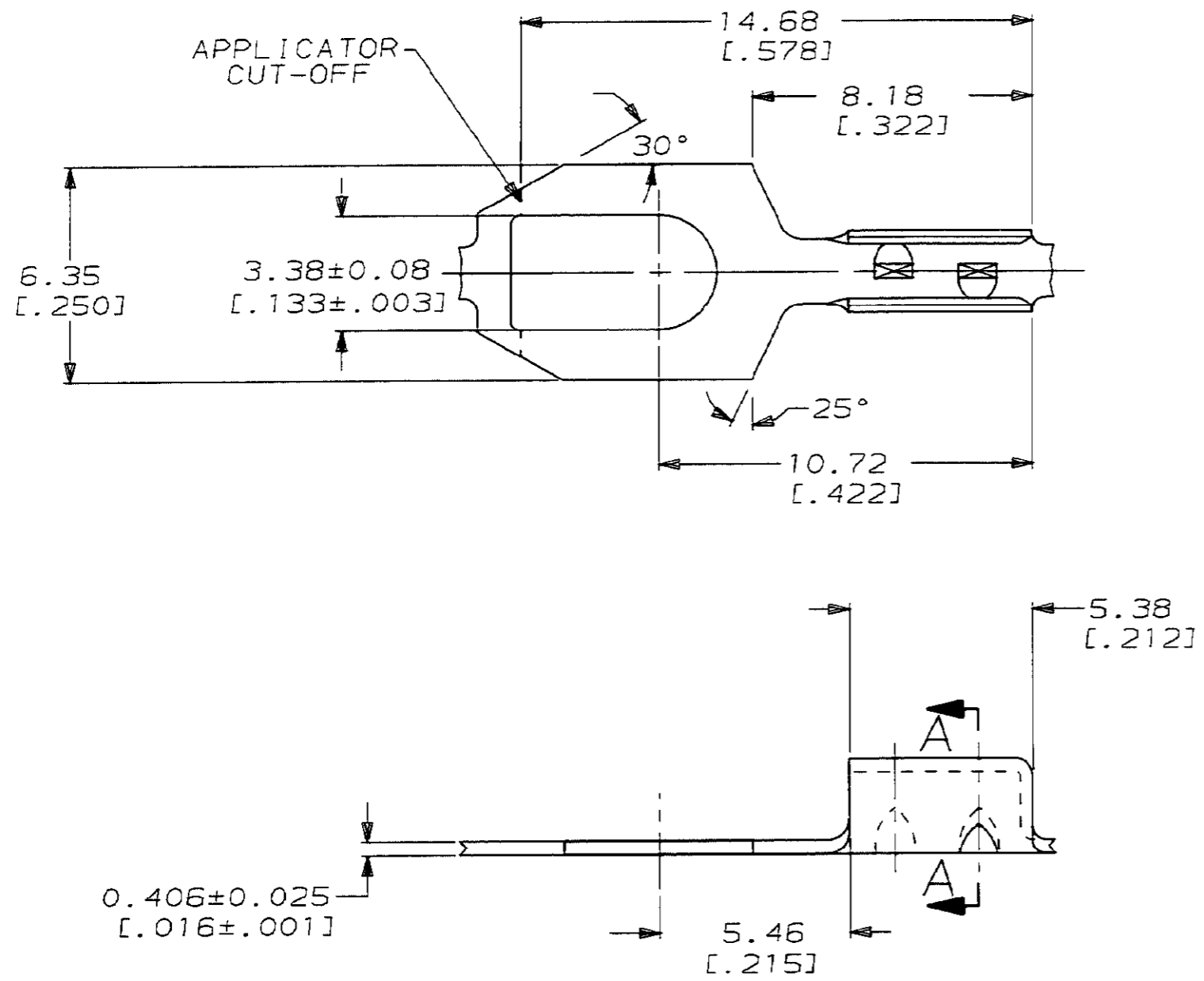
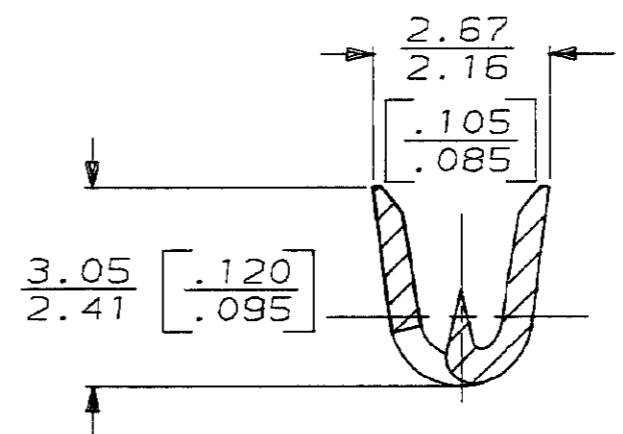


THIS DRAWING IS UNPUBLISHED. RELEASED FOR PUBLICATION, 19  
 © COPYRIGHT 19 BY AMP INCORPORATED. ALL INTERNATIONAL RIGHTS RESERVED.

| LOC | DIST | REVISIONS |   |      |     |                     |         |       |
|-----|------|-----------|---|------|-----|---------------------|---------|-------|
| AF  | 50   | P         | F | ZONE | LTR | DESCRIPTION         | DATE    | APPD  |
|     |      |           |   | N    |     | REDRAWN PER AF-7442 | 5/13/91 | PF/JR |



1 CONTINUOUS STRIP ON REEL.



SECTION A-A  
SCALE 10:1

**METRIC**

|   |   |   |  |                     |
|---|---|---|--|---------------------|
| DO NOT SCALE PRINT. UNLESS SPECIFIED DIMENSIONS IN mm [INCHES] TOLERANCES ON:<br>2 PLC DEC = 0.38 [.015]<br>3 PLC DEC = -<br>ANGLES = - | DR 5/13/91<br>P FORTNEY<br>CHK 5/13/91<br>JR RUTH<br>APPD 5/13/91<br>G YETTER<br>APPD 5/13/91<br>R WEAUVILL | INSULATION RANGE<br>1.14-1.27 DIA<br>[.045-.050]      | WIRE RANGE<br>0.13 - 0.3mm <sup>2</sup><br>[26-22] AWG | PART NO<br>60234-2  |
| MATERIAL<br>#1 HARD BRASS   | PRODUCT SPEC<br>-   | NAME<br>AMP Incorporated<br>Harrisburg, PA 17105-3608 |  |                     |
| FINISH<br>0.002032 [.000080]<br>MIN TIN PL<br>PER MIL-T-10727   | APPLICATION SPEC<br>-   | SIZE<br>B   | CAGE CODE<br>00779                                     | DRAWING NO<br>60234 |
|   | WEIGHT<br>-   | SCALE<br>6:1  | SHEET<br>1 OF 1  |                     |

CUSTOMER DRAWING